

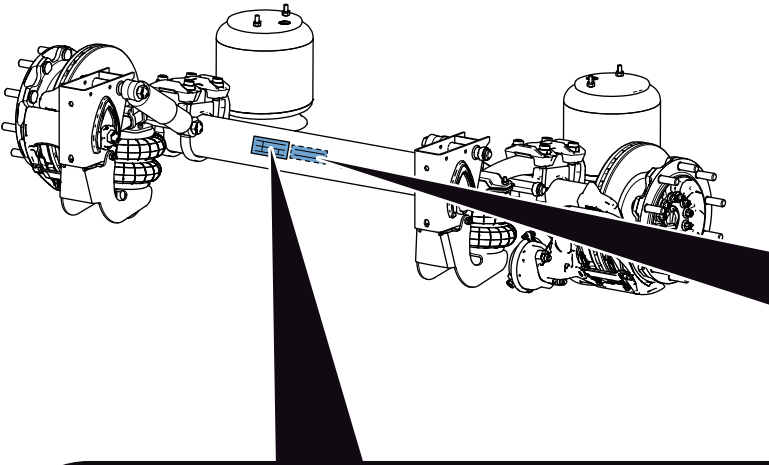
## »» Changing shock absorbers






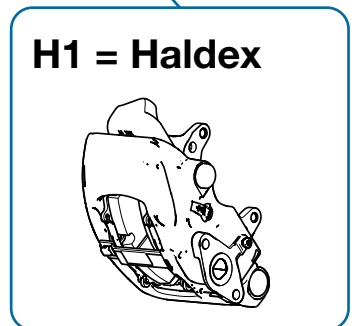
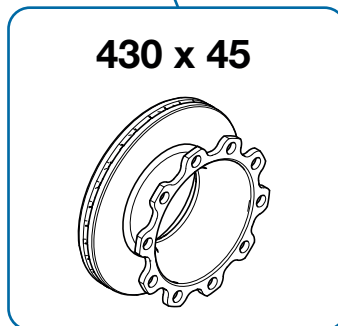
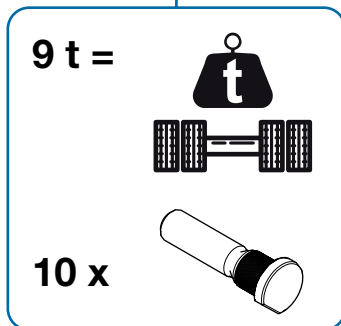
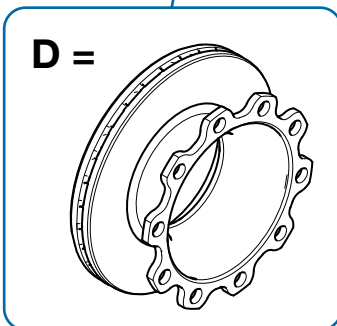
# »» INTRODUCTION

- » Changing disc brake
- » Changing hub unit
- » Changing brake pads
- » Changing ABS
- » Changing brake callipers
- » Changing air spring
- » Changing clamping attachment
- » Changing air bellows
- » Changing brake cylinders
- » **Changing shock absorbers**
- » Changing air bellow of axle lift
- » Changing silent block of air spring














# INTRODUCTION









Ident No:	11010031 / D14210157		
	<u>DOKTX1</u> <u>09010</u> <u>4345H1</u> 2040 1300 B22ABS		
ID1-	225		stat. axle load
ID2-	4345HT		9.000 kg
ID3-	10006,2		v max
ID4-	36107313		105 km/h
<p>Made exclusively for KRONE by gigant-Trenkamp &amp; Gele GmbH, 49413 Dinklage, GERMANY          A member of the  KRONE - Group</p>			

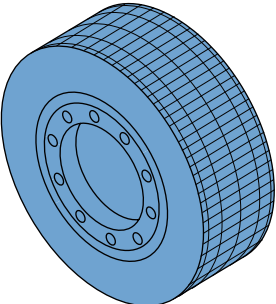




# INTRODUCTION



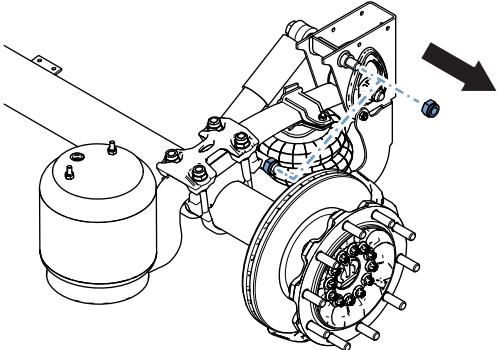
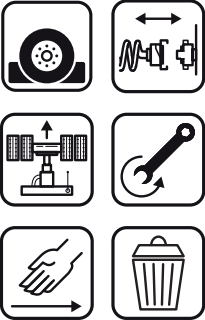
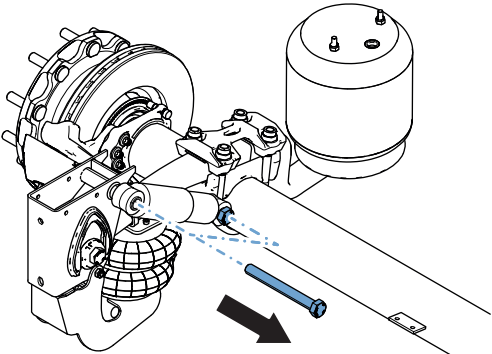

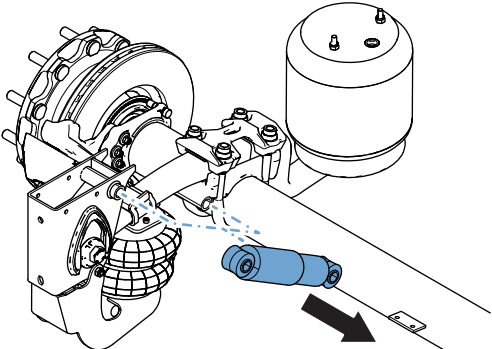

	Take notes!	
	Follow the safety instructions!	
	Attention!	
	Caution: heavy; handle properly.	
	Always wear the necessary safety equipment!	
	Always wear the necessary safety equipment!	
	Always wear the necessary safety equipment!	
	Only use tested and approved tools.	
	Follow instructions of the manufacturer!	
	axle load	
	Remove part and put it aside!	
	good	
	bad	
	O.k.	

# INTRODUCTION

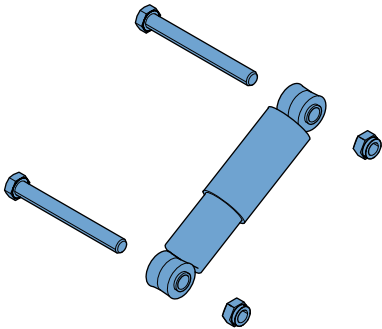

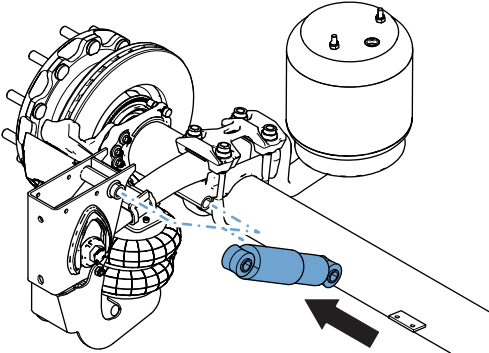

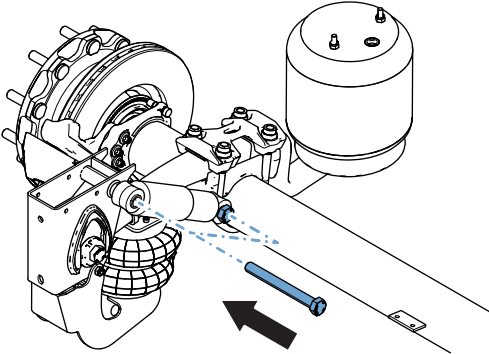

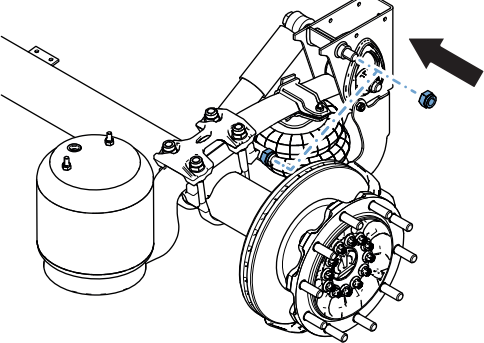
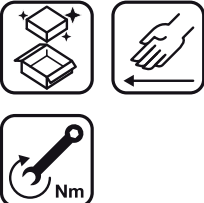

	Use new component.	
	Loosen with tool!	
	Tighten with required tightening torques!	
	Take something in by hand.	
	Take something out by hand.	
	Dispose properly.	
	Check / inspect visually!	
	Lift axle with hydraulic jack.	
	Secure the trailer against rolling away!	

1		 	
---	---	---	--

# CHANGING SHOCK ABSORBERS

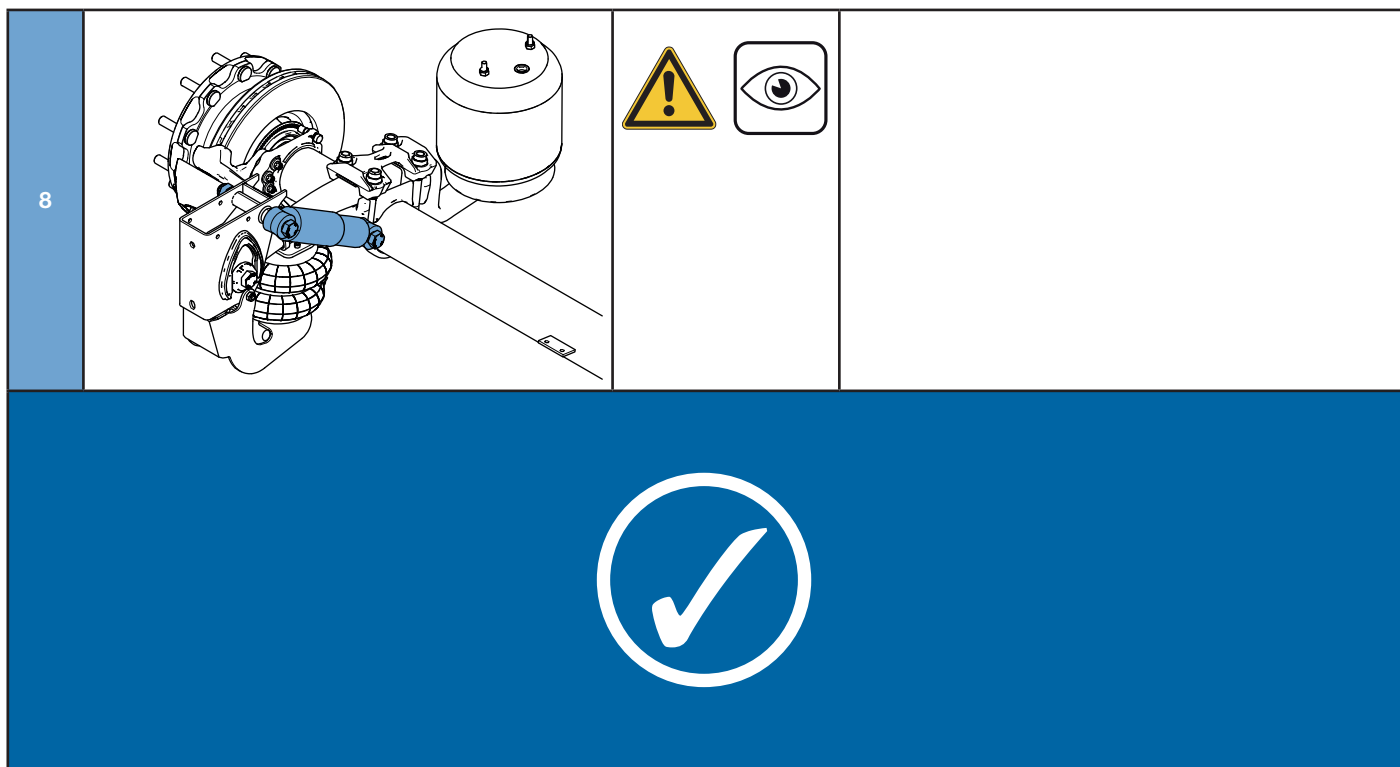
			
1			
2			
3			

# CHANGING SHOCK ABSORBERS

4			
5			
6			
7			



# »» CHANGING SHOCK ABSORBERS



Your KRONE contact person

**FAHRZEUGWERK BERNARD KRONE GMBH**

Bernard-Krone-Straße 1, 49757 Werlte, Germany  
Phone: +49 (0) 5951 / 209-0, Fax: +49 (0) 5951 / 24 65  
info.nfz@krone.de, www.krone-trailer.com